

# O r b i X

---

PRINTING PADS

---

# OrbiX – Characteristics



PRECISION



PERFECTION

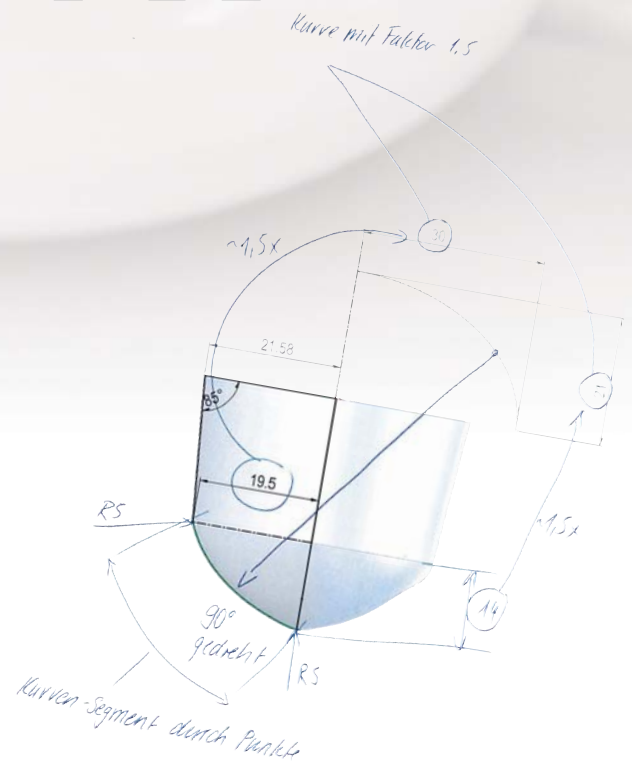


POSITIONAL ACCURACY

# O r b i X

## The perfect pad shape – nature's paradigm

With OrbiX, a new generation of printing pads for pad printers is available on the market. In addition to the silicone composition from which a pad is poured, the shape is the deciding criterion for optimal printing results. In this case, the laws of nature help to calculate the ideal pad shape. The surface geometry of the OrbiX-pads is derived from forms, similar to that of a parabola, which are often found in nature. This unique combination of experience and inspiration from nature provides the basis of design for the perfect printing pad. The resulting shape has been applied to the surface structure of all the pads of the OrbiX series. The new pad surface design provides for even pad compression during the ink transfer, which results in the visible improvement of print quality.



The results include:



- even pad pressure
- optimizes the unroll properties
- marked improvement in the print transfer
- improved print accuracy

The OrbiX pad range includes the following pad types:



**Longlife**  
54 Shore-00  
44 Shore-00



**Green**  
44 Shore-00



**Blue**  
64 Shore-00



**Red**  
54 Shore-00



**StarX**  
64 Shore-00  
54 Shore-00  
44 Shore-00  
39 Shore-00

# OrbiX – Formes

<p>No. T8001 Applications:</p>	<p>No. T8002 Applications:</p>	<p>No. T8003 Applications:</p>
<p>No. T8004 Applications:</p>	<p>No. T8005 Applications:</p>	<p>No. T8006 Applications:</p>
<p>No. T8007 Applications:</p>	<p>No. T8008 Applications:</p>	<p>No. T8009 Applications:</p>
<p>No. T8010 Applications:</p>	<p>No. T8011 Applications:</p>	<p>No. T8012 Applications:</p>
		<p>All pads shown are available with an aluminum shaft as well. (Article number = T90XX insert the last two numbers of the pad shown) In addition to these shapes, others pad shapes are being designed.</p>
<p>No. T8013 Applications:</p>	<p>No. T8014 Applications:</p>	

## Our Pad Selection



The OrbiX pad series represents only a part of our wide-range of printing pads. Just as pad printing applications differ substantially, so too the demands that are placed on the printing pads as well. Standard pads for the widest range of printing applications are available in our pad catalog. We are pleased to assist you in the selection or production of special pads and forms. Since we offer our customers products of only the best quality, we, as a pad printing machine manufacturer, have our own pad production facility as well. In this way the solutions are quick and the possibilities endless. We look forward to hearing from you.

Teca-Print offers various types of printing pads. These pads can be purchased in varying degrees of hardness, on delivery their hardness tolerance is  $\pm 2$  Shore-00.

Shore	Description	Remarks
64 Shore-00	standard pad <b>Blue</b> StarX	Very hard, e.g. for textured surfaces
54 Shore-00	standard pad <b>Red</b> StarX	Normal – most used pad, very versatile
44 Shore-00	standard pad <b>Green</b> StarX	Soft – especially good for brighter print parts curved components
39 Shore-00	standard pad <b>White</b> StarX	Very soft – for delicate and breakable components

The pad hardness must be stated on ordering the pad:

– e.g. standard pads: T120 **R** T = pad 120 = pad number **R** = pad hardness  
 – e.g. standard pads: T0142-**64** T = pad 0142 = pad number **-64** = pad hardness

With the StarX-pads, the pad hardness is indicated by the two numbers following the hyphen.

You will find more information about us and our products on our homepage:

[www.padprinting.biz](http://www.padprinting.biz)  
[www.tampographie.biz](http://www.tampographie.biz)  
[www.tampondruck.biz](http://www.tampondruck.biz)  
[www.teca-print.com](http://www.teca-print.com)



**Teca-Print**

Teca-Print AG

Tel. +41 (0)52 645 2000

Tel. +41 (0)52 FON TECA

Postfach

Fax +41 (0)52 645 2102

Bohlstrasse 17

info@teca-print.com

CH-8240 Thayngen

teca-print.com